

System concept

The successor model of the Vectron POS Touch 15 provides increased performance thanks to new electronics. High-quality materials and careful processing make the POS system particularly suitable for use in difficult environments like in bakery shops or on restaurant counters. Even in case of power failure the POS system shuts down safely and without data loss.

The Vectron POS Touch 15 II PCT is absolutely reliable and boasts a long service life. The display with glass surface guarantees a brilliant quality. The projective-capacitive touch is scratch-proof and wear-free. The generous 5-years guarantee (for hardware including wear parts) can be extended to 10 years when buying a new POS system.



Hardware

Technical data of Touch 15 II PCT POS system	
Display diagonal	381 mm (15")
Display type	TFT-LCD
Display backlight	LED backlight
Display size (active)	304 x 228 mm
Display resolution	1024 x 768 pixel
Colours	True Color
Input	Touch screen (projective-capacitive)
Housing and foot	black plastic and coated metal
Processor	i.MX 6, DualLite, 1GHz
Main memory	1 GB DDR3
Mass memory	8 GB Flash memory (eMMC)
Network	10/100/1000 BASE-T; Ethernet
USB ports	8x USB 2.0; type A; 2 of which at the bottom
Serial ports	6x RS232; type RJ45; for additional devices
Cash drawer ports	2x type RJ12; for up to four cash drawers with Y-cable
Audio socket	3.5 mm jack; stereo; for loudspeaker
Mounting of external devices	mounting of external peripherals at the display housing left and right possible
SD-card slot	for SD-cards up to 4 GB and SDHC-cards up to 32 GB
SIM-card slot	for standard Mini SIM-cards (25 x 15 mm)
Loudspeaker	mono; 2 W



DATA SHEET

VECTRON POS TOUCH 15 II PCT



Technical data of Touch 15 II PCT POS system	
Power supply	with foot: Vectron PS60/PS61 (integrated in foot) with wall mount: Vectron PS61
Buffer battery	for permanent power supply of the cache
Power consumption	18 W maximum 14.5 W in normal operation without external devices 0.5 W in standby
Temperature	storage: -10 to 50 °C operation: 0 to 40 °C
Dimensions (W x H x D)	with foot S420: approx. 365 x 440 x 270 mm (depending on tilt angle) with foot S500: approx. 365 x 226 x 343 mm (depending on tilt angle) with wall mount: 365 x 322 x 105 mm
Weight	with foot S420: approx. 12.5 kg with foot S500: approx. 8.4 kg with wall mount: approx. 6.8 kg
Certified	CE

Technical data of power supply Vectron PS60 or Vectron PS61	
Input voltage	100 to 240 V alternating voltage
Output voltage	+ 24 V direct current
Output current	max. 3.75 A
Output power	max. 90 W
Power consumption	max. 93 W
No-load loss	0.3 to 0.5 W
Temperature	storage: -40 to 85 °C operation: 0 to 40 °C
Air humidity	operation: 5 to 95 %, non condensing
Dimensions (W x H x D)	145 x 60 x 32 mm
Weight	PS60: 450 g / PS61: 495 g
Certified	CE, UL 60950-1

Software

Technical data of Vectron POS software	
PLUs	1,000,000*
Departments	65,535*
Operators	2,000*
Guest checks or customers	65,535*
Cash registers per network	200*
Printers per network	100*
User interface	gesture recognition (swipe) for fast navigation use of own images and icons also with transparency channel





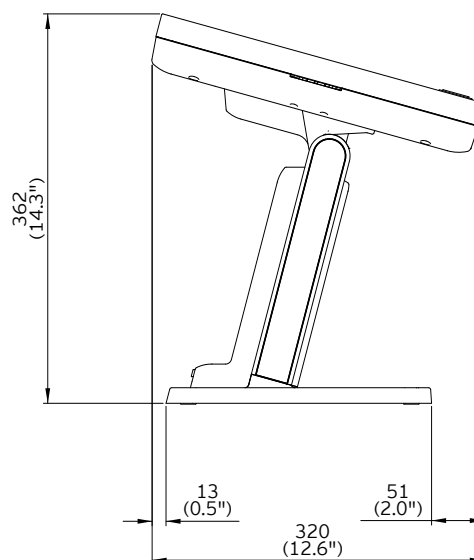
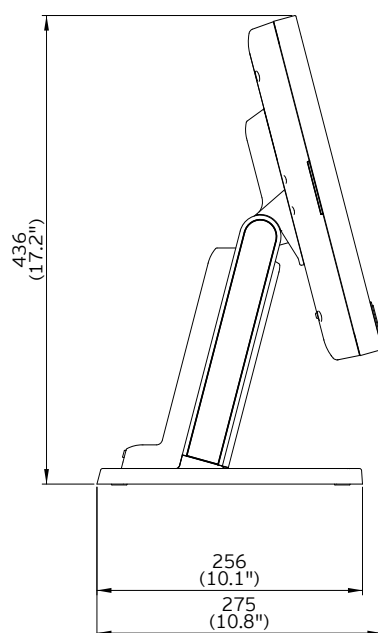
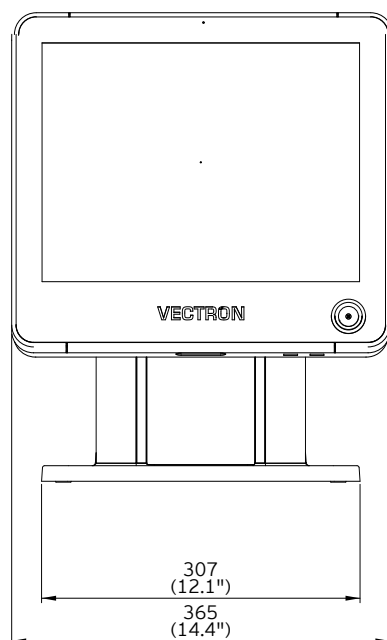
Technical data of Vectron POS software	
User interface	pre-defined high-resolution fonts
bonVito	unrestricted support of the bonVito online marketing tool (liable to costs - more information and prices at www.bonvito.net)
*	The indicated values are maximum values, which can only be reached with special programming and optimum hardware equipment. The available functions also depend on the used software version and the programming of the POS system. Please contact your Vectron dealer to assist you with your special requirements.

Shipment

	Vectron POS Touch 15 II PCT (with foot S420)	Vectron POS Touch 15 II PCT (with foot S500)	Vectron POS Touch 15 II PCT (with wall mount)
Standard shipment	Vectron POS Touch 15 II PCT incl. foot S420	Vectron POS Touch 15 II PCT incl. foot S500	Vectron POS Touch 15 II PCT incl. wall mount
	Housing Touch 15 port cover foot	Housing Touch 15 port cover foot	Housing Touch 15 port cover wall mount
	Power supply Vectron PS60	Power supply Vectron PS61	Power supply Vectron PS61
	Operator lock Vectron L10 with four operator keys		
	Two covers each for the SD-card- and SIM-card slot		
	Power cord		
	Vectron POS software with licence		
	Notes on safety and installation		
	Dispatch box		
Optional accessories	Operator lock Vectron L21, Vectron L30		
	Customer display Vectron C56, Vectron C75, Vectron C100		

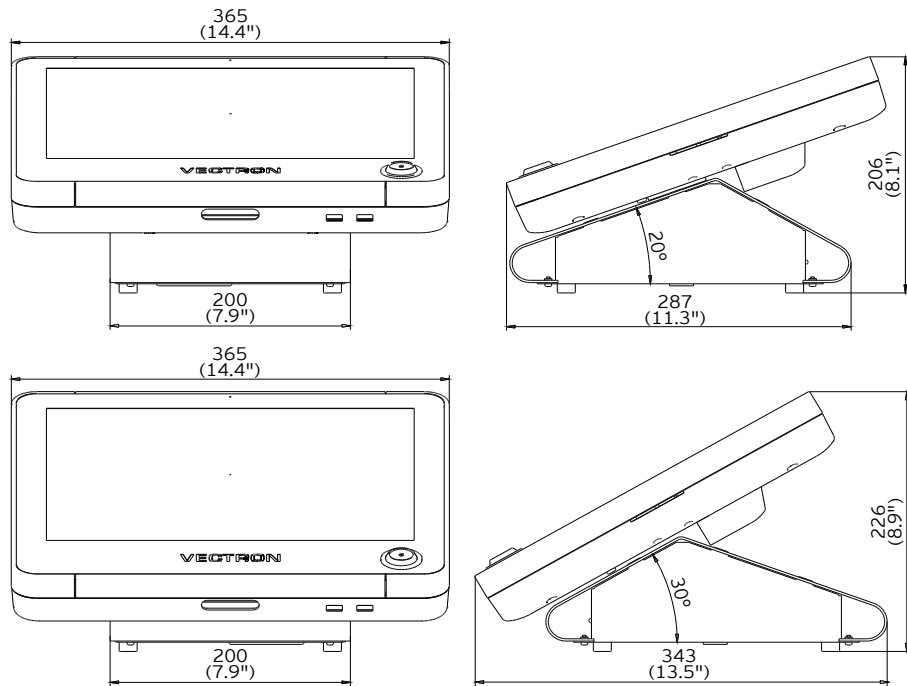


Dimensions incl. foot S420 (in mm and inch)





Dimensions incl. foot S500 (in mm and inch)



Dimensions incl. wall mount (in mm and inch)

