

## System concept

The Vectron POS Touch 12 Light has been developed for the highest demands. Thanks to its outstanding features, Vectron POS Touch 12 Light is particularly suitable for use in difficult environments like in bakery shops or on restaurant counters. Even here it works absolutely reliably and boasts a long service life.



## Hardware

Technical data of Touch 12 Light POS system	
<b>Display diagonal</b>	307 mm (12.1")
<b>Display type</b>	TFT-LCD
<b>Display backlight</b>	LED backlight
<b>Display size (active)</b>	246 x 184.5 mm
<b>Display resolution</b>	800 x 600 pixel
<b>Colours</b>	up to VPOS version 5.x: 256 colours as of VPOS version 6.0.0.0: True Color
<b>Input</b>	Touchscreen; 5-wire analog-resistive
<b>Housing and foot</b>	plastic anthracite and coated metal
<b>Processor</b>	Marvell ARMADA 168, 1066 MHz
<b>Main memory</b>	512 MB DDR2-RAM
<b>Cache</b>	1 MB SRAM
<b>Mass memory</b>	4 GB Flash memory
<b>Network</b>	10/100BASE-T; Ethernet
<b>USB ports</b>	8x USB 2.0; type A; 2 of which at the bottom
<b>Serial ports</b>	6x RS232; type RJ45; for additional devices
<b>Cash drawer ports</b>	2x type RJ12; for up to four cash drawers with Y-cable
<b>Audio socket</b>	3.5 mm jack; stereo; for loudspeaker
<b>SD-card slot</b>	for SD-cards up to 4 GB and SDHC-cards up to 32 GB
<b>SIM-card slot</b>	for standard Mini SIM-cards (25 x 15 mm)
<b>Loudspeaker</b>	mono; 2 W



# DATA SHEET

## VECTRON POS TOUCH 12 LIGHT



Technical data of Touch 12 Light POS system	
<b>Power supply</b>	with foot: Vectron PS60/PS61 (integrated in foot) with wall mount: Vectron PS61
<b>Buffer battery</b>	for permanent power supply of the cache
<b>Power consumption</b>	13 W in normal operation without external devices 0.5 W in standby
<b>Temperature</b>	storage: -10 to 50 °C operation: 0 to 40 °C
<b>Dimensions (W x H x D)</b>	with foot S400: approx. 308 x 390 x 270 mm (depending on tilt angle) with foot S500: approx. 308 x 200 x 351 mm (depending on tilt angle) with wall mount: 308 x 280 x 104 mm
<b>Weight</b>	with foot S400: approx. 9.3 kg with foot S500: approx. 5.8 kg with wall mount: approx. 4.3 kg
<b>Certified</b>	CE

Technical data of power supply Vectron PS60 or Vectron PS61	
<b>Input voltage</b>	100 to 240 V alternating voltage
<b>Output voltage</b>	+ 24 V direct current
<b>Output current</b>	max. 3.75 A
<b>Output power</b>	max. 90 W
<b>Power consumption</b>	max. 93 W
<b>No-load loss</b>	0.3 to 0.5 W
<b>Temperature</b>	storage: -40 to 85 °C operation: 0 to 40 °C
<b>Air humidity</b>	operation: 5 to 95 %, non condensing
<b>Dimensions (W x H x D)</b>	145 x 60 x 32 mm
<b>Weight</b>	PS60: 450 g / PS61: 495 g
<b>Certified</b>	CE, UL 60950-1

## Software

Technical data of Vectron POS software	
<b>PLUs</b>	1,000,000*
<b>Departments</b>	65,535*
<b>Operators</b>	2,000*
<b>Guest checks or customers</b>	65,535*
<b>Cash registers per network</b>	200*
<b>Printers per network</b>	100*
<b>User interface as of VPOS version 6.0.0.0</b>	use of own images and icons also with transparency channel pre-defined high-resolution fonts
<b>bonVito</b>	unrestricted support of the bonVito online marketing tool (liable to costs - more information and prices at <a href="http://www.bonvito.net">www.bonvito.net</a> )





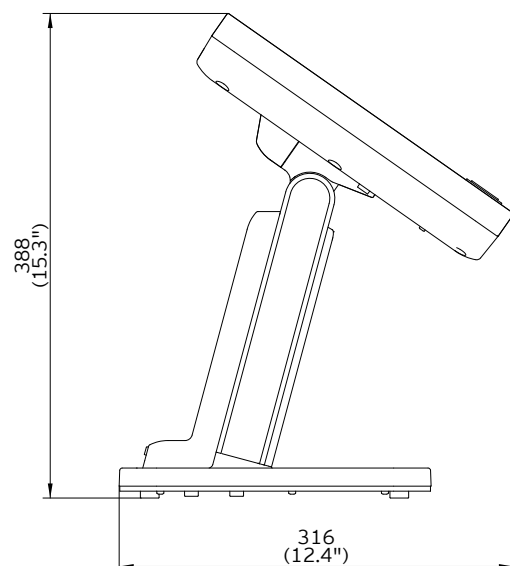
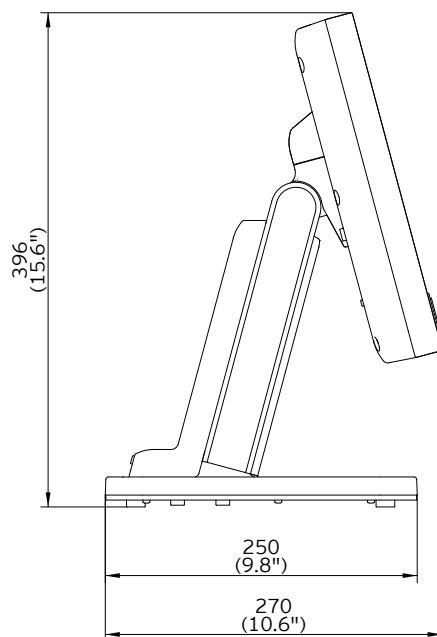
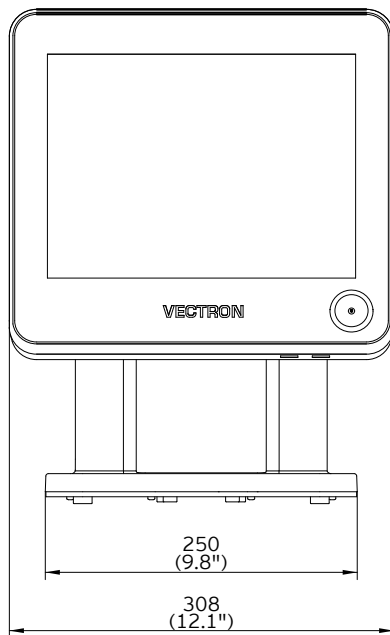
Technical data of Vectron POS software	
<b>Special features</b>	All server functions of POS Touch 12 Light can be used exclusively with a mobile or hybrid Vectron POS system. POS Touch 12 Light always works as server.
	The use of mobile or hybrid Vectron POS systems in such a network is limited to max. 10 mobile systems - together with POS Touch 12 Light max. 11 POS systems in network are possible.
	Except for when receiving the programming, POS Touch 12 Light exclusively accepts links of a mobile or hybrid Vectron POS system. Peripherals can be used within the existing scope.
	Upgrade to a normal POS Touch 12 software licence is possible by purchasing the appropriate update licence.
*	The indicated values are maximum values, which can only be reached with special programming and optimum hardware equipment. The available functions also depend on the used software version and the programming of the POS system. Please contact your Vectron dealer to assist you with your special requirements.

## Shipment

	Vectron POS Touch 12 Light (with foot S400)	Vectron POS Touch 12 Light (with foot S500)	Vectron POS Touch 12 Light (with wall mount)
<b>Standard shipment</b>	Vectron POS Touch 12 Light POS system incl. foot S400	Vectron POS Touch 12 Light POS system incl. foot S500	Vectron POS Touch 12 Light POS system incl. wall mount
	Housing Touch 12 Light port cover foot	Housing Touch 12 Light port cover foot	Housing Touch 12 Light port cover wall mount
	Power supply Vectron PS60	Power supply Vectron PS61	Power supply Vectron PS61
	Operator lock Vectron L10 with four operator keys		
	Two covers each for the SD-card- and SIM-card slot		
	Power cord		
	Vectron POS software with licence		
	Notes on safety and installation		
	Dispatch box		
<b>Optional accessories</b>	Operator lock Vectron L21, Vectron L30		
	Customer display Vectron C56, Vectron C75, Vectron C100		

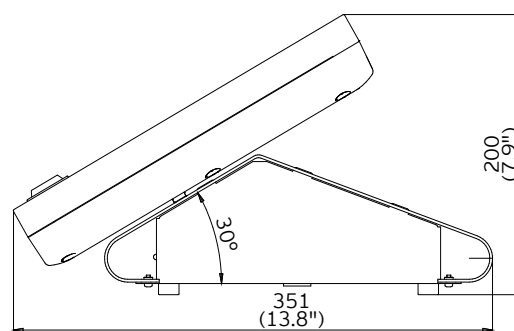
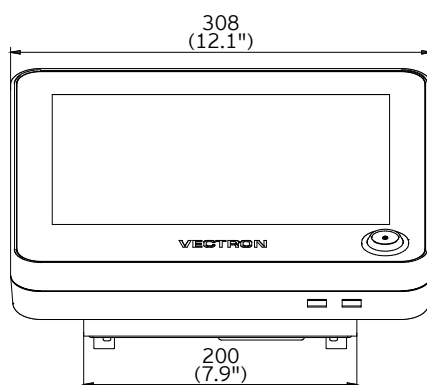
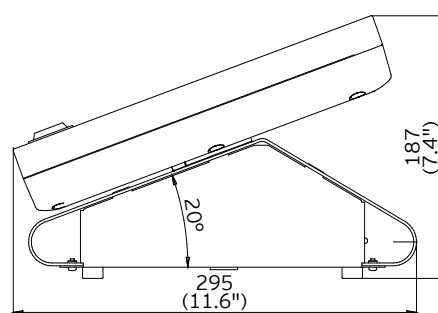
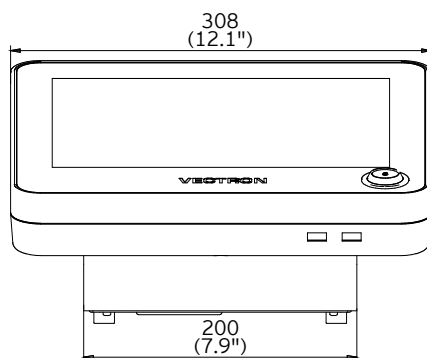


# Dimensions incl. foot S400 (in mm and inch)





# Dimensions incl. foot S500 (in mm and inch)



# Dimensions incl. wall mount (in mm and inch)

